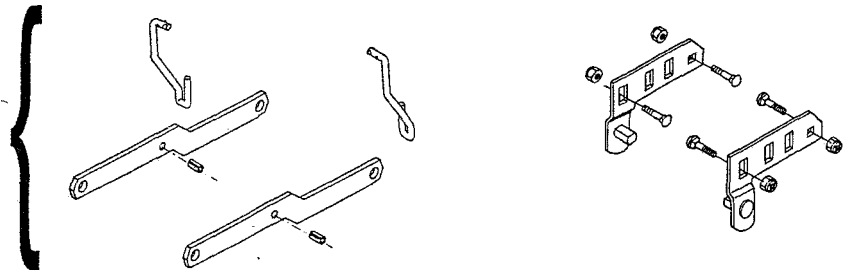


# MOWER SUSPENSION CONVERSION (FOR 38' & 42" LAWN TRACTORS)

## KIT NO. 152287

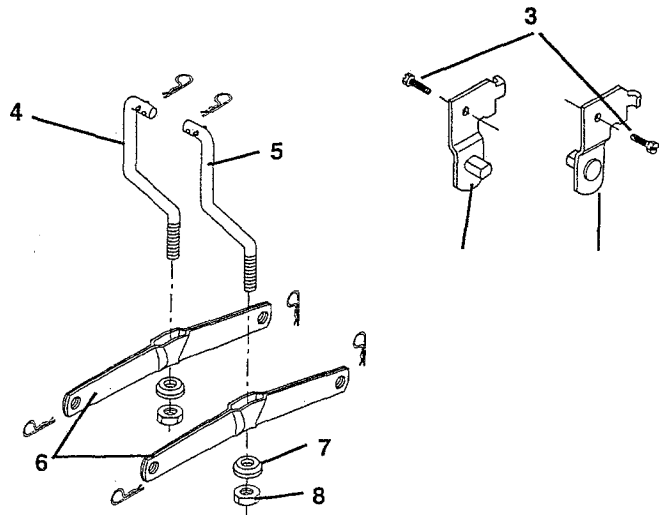
THIS KIT IS PROVIDED TO CONVERT 1992-1993 TRACTORS FROM THE OLD "HATCHET" STYLE MOWER SUSPENSION TO NEW "LIFT LINK" STYLE MOWER SUSPENSION. FOR FUTURE REFERENCE AND REPAIR PARTS ORDERING, KEEP THESE INSTRUCTIONS WITH YOUR TRACTOR OWNER'S MANUAL.

Remove from tractor old suspension components shown and discard. NOTE: Keep Retainer Springs for new suspension assembly.



New suspension components (Retainer Springs not included in kit). Kit consists of:

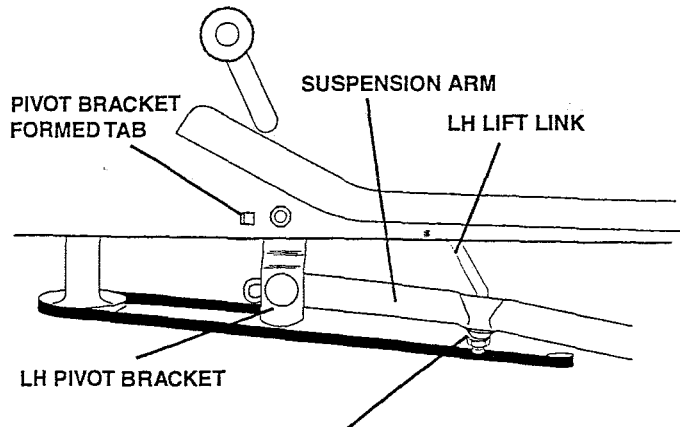
KEY NO.	PART NO.	DESCRIPTION	QTY.
1	139886	Pivot Bracket LH	1
2	139887	Pivot Bracket RH	1
3	17490612	Screw 3/8 Tapping	2
4	145537	Lift Link LH	1
5	145536	Lift Link RH	1
6	139868	Suspension Arm	2
7	140302	Pivot Bearing	2
8	73540600	Locknut 318-24	2



### INSTALLATION NOTES

- Remove mower from tractor according to the tractor owner's manual instructions.
- Pivot brackets mount to the inside of tractor frame with the screws inserted from outside of frame. Use hole in frame that positions pivot pin in same location as old pivot bracket pin. Tighten tapping screws securely.
- Install adjustment nuts an equal distance on both lift links (approximately 7 threads exposed outside of nut).
- Install mower to tractor according to the tractor owner's manual instructions.
- Level mower. See next page for leveling instructions.

VIEW FROM LEFT SIDE OF TRACTOR



INSTALL ADJUSTMENT NUT EQUAL DISTANCE ON BOTH LIFT LINKS  
(Approx. 7 threads exposed)