

ANTI-SWAY BAR INSTALLATION KIT FOR 42 INCH MOWER DECKS

KIT NO. 138081

INSTALLATION INSTRUCTIONS

NOTE: On some model tractors, minor modification may be necessary to mount your new sway bar kit. Not all model tractors will need the following modifications. To determine if any modification is required, look carefully at the mower deck on your tractor. If there are holes as indicated in Fig. 1, remove existing hardware and proceed to deck bracket assembly section. If there are not any holes, proceed to the following section.

DRILL HOLES IN MOWER DECK HOUSING (see Fig. 1)

On some model tractors, it may be necessary to drill holes in the mower deck housing. If your mower deck does not have the holes, drill two 1 1/32" holes as shown.

NOTE: To assist in proper hole location, there is a template included with this kit that may be used.

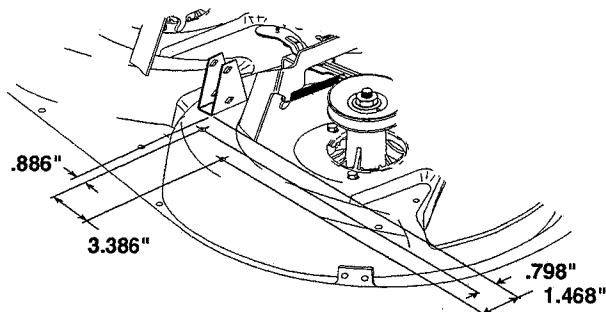


FIG. 1

DECK BRACKET ASSEMBLY (see Fig. 2)

- Lower mower deck to its lowest position.
- If your mower deck had existing holes, remove the hardware used to plug the holes and discard.
- Assemble deck bracket using 2(two) 5/16-18 x 3/4" bolts and nuts provided with kit.
- Tighten hardware securely.

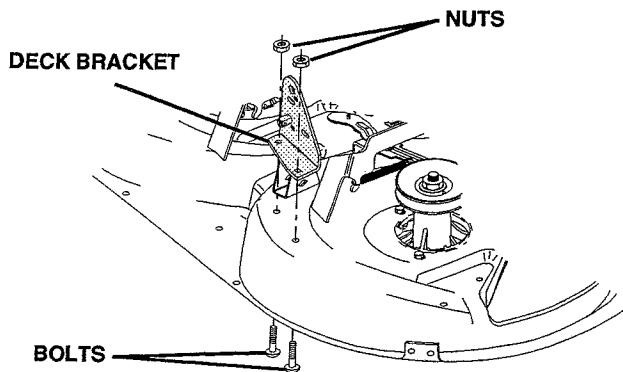


FIG. 2

FRAME BRACKET ASSEMBLY (see Fig. 3)

- Remove and discard hardware from inside back corner of left hand footrest
- Position frame bracket over holes and install new hardware as shown.
- Tighten hardware securely.

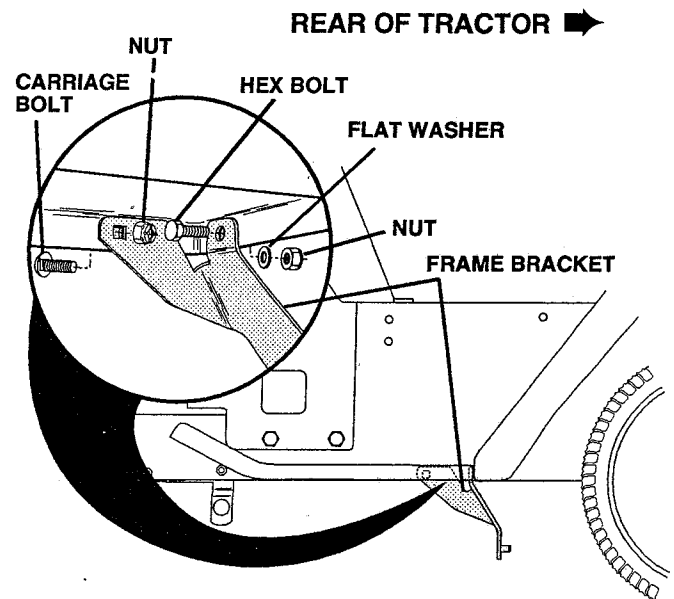


FIG. 3

ANTI-SWAY BAR ASSEMBLY (see Fig. 4)

- Position anti-sway bar on weld pins of frame bracket and deck bracket as shown.
- Secure anti-sway bar with retainer springs.

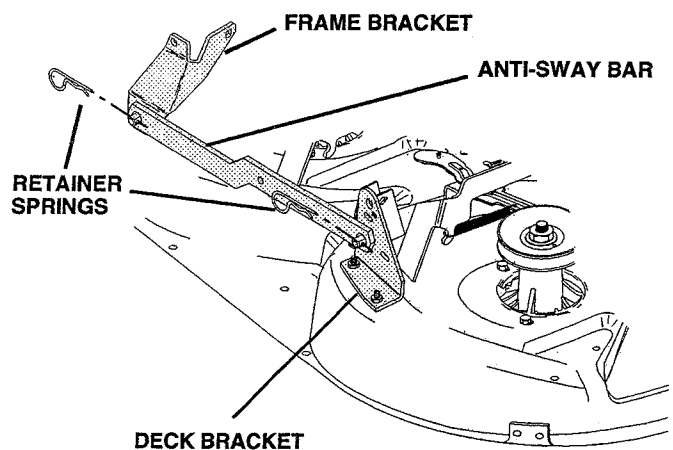
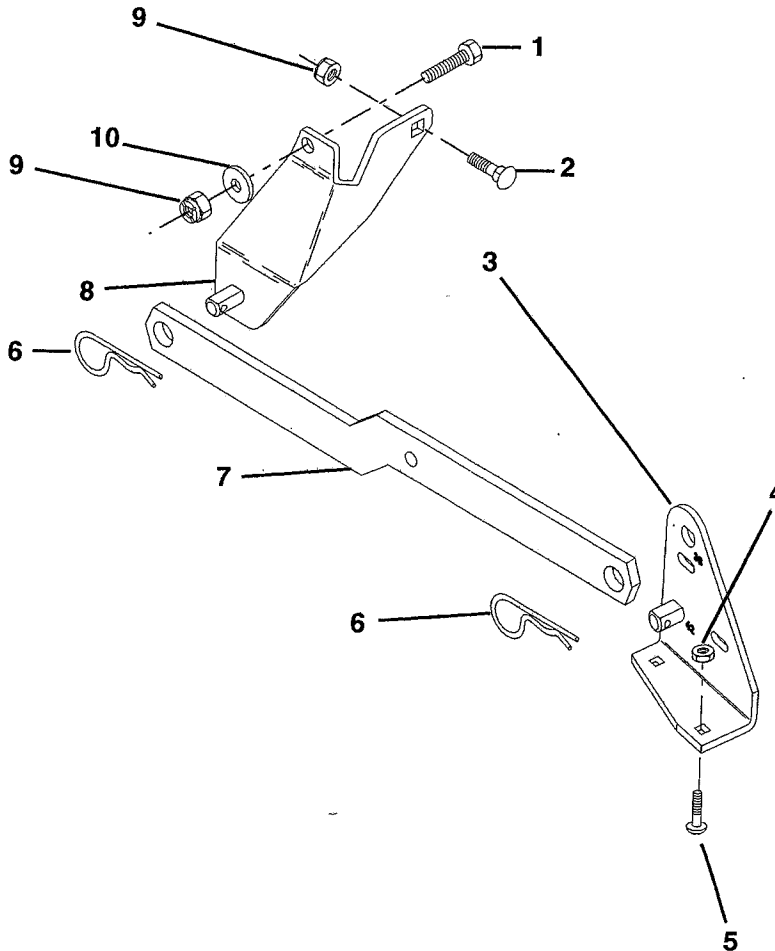


FIG. 4

REPAIR PARTS

FOR FUTURE REFERENCE AND REPAIR PARTS ORDERING, KEEP THIS INSTRUCTION SHEET WITH YOUR TRACTORS OWNER'S MANUAL

KEY NO.	PART NO.	DESCRIPTION
1	74760614	Bolt, Hex 3/8-16 x 7/8
2	72140608	Bolt, Carriage 3/8-16 x 1
3	138019	Bracket, Deck
4	73800500	Nut, With Insert 5/16-18
5	74310506	Bolt, Round Head 5/16-18 x 3/4
6	4939M	Spring, Retainer
7	130832	Anti-Sway Bar
8	138017	Bracket, Frame
9	73680600	Nut, Crownlock
10	19131312	Washer 13/32 x 13/16 x 12 Ga.



- 1) CUT OUT TEMPLATE ALONG DOTTED LINE AND PLACE IN POSITION SHOWN.
- 2) MARK THE CENTER OF EACH HOLE AND DRILL WITH A 11/32" DRILL BIT.

